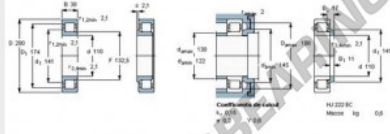


Roller bearing NJ222-ECM-SKF - NJ222-ECM-SKF

<https://www.123bearing.ie/bearing-housing/roller-bearing/roller/nj222-ecm-skf>

| Dimensions d'encadrement | | Charges de base dynamique | | Charges de base statique | | Désignation | Bague d'épaulement |
|--------------------------|-----|---------------------------|-----|--------------------------|----------------|--------------------------|--------------------|
| d | D | B | C | C ₁₀ | C ₀ | * Roulement SKF Explorer | Désignation |
| mm | | | kN | | | | |
| 110 | 200 | 38 | 335 | 365 | | NJ 222 ECM * | HI 222 EC |



PRODUCT FEATURES

| | |
|------------------|---------------|
| Brand | SKF |
| N° Ean13 | 7316576624391 |
| Inside diameter | 110 mm |
| Outside diameter | 200 mm |
| Thickness | 38 mm |
| Packaging | 1 |

contact@123bearing.ie

+33 359 36 04 90

CRT4 de Lesquin 60 Rue Du Haut De Sainghin 59273 Fretin FRANCE