

SI Rod end

SIL35-ES-2RS-DURBAL - SIL35-ES-2RS-DURBAL

<https://www.123bearing.ie/bearing-housing/rod-end/si/sil35-es-2rs-durbal>

SIL35-ES-2RS



female thread; lubrication required, according to DIN ISO 12240-4; series E

Description: DIN ISO rod end E series. Made of spherical plain bearing DGE...E (ES) pressed into rod end body. Sliding combination steel / steel. Maintenance necessary. Bore diameter $d \geq 15$ with grease nipple in rod end body and lubrication groove and hole in inner and outer ring. Bore diameter $d \geq 15$ type DSI...ES-2RS with additional seals also available.

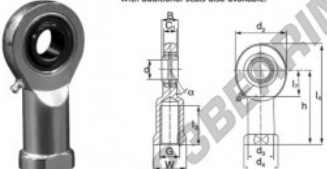
Sliding combination: steel / steel

Inner ring: bearing steel, hardened, ground and phosphated

Outer ring: bearing steel, hardened, ground and phosphated

Lubrication: lubrication required

Rod end body: surface zinc plated



order number		measurement (mm)						
right hand thread	left hand thread	d	G	B	C1	d2	d3	d4
SIL 35 ES (-2RS)		35	M 36 x 3	25	21,0	82	47,0	58

type	measurement [mm]			α [°]	load rating C_0 [kN]	weight [kg]
	l_1 min	W	h			
SI / SIL 35 ES (-2RS)	60	50	125	6	146,0	1,3

PRODUCT FEATURES

Brand	DURBAL
N° Ean13	3663952497303
Inside diameter	35 mm
Outside diameter	82 mm
Thickness	25 mm
Type	SI
Weight	1300 g
Thread	Left-hand thread
Lubrication	with
Packaging	1

contact@123bearing.ie

+33 359 36 04 90

CRT4 de Lesquin 60 Rue Du Haut De Sainghin 59273 Fretin FRANCE