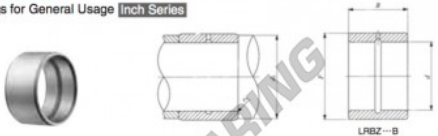


## Inner ring LRBZ81216-B-IKO - LRBZ81216-B-IKO

<https://www.123bearing.ie/bearing-housing/needle-roller-bearing/inner-ring/lrbz81216-b-iko>

**IKO**  
**INNER RINGS**  
Inner Rings for General Usage Inch Series



Shaft dia. mm (inch)	Identification number		Mass (Ref.) g	Boundary dimensions mm(inch)			Standard mounting dimensions mm <sup>(*)</sup>		
				<i>d</i>	<i>F</i>	<i>B</i>	<i>d</i> <sub>s</sub> Min.	<i>d</i> <sub>s</sub> Max.	<i>r</i> <sub>as</sub> max. Max.
<b>12.700</b> ( $\frac{1}{2}$ )	—	<b>LRBZ 81216 B</b>	31	12.700 ( $\frac{1}{2}$ )	19.050 ( $\frac{3}{4}$ )	25.650	17.5	18	0.6
Assembled bearings									
<b>BR 122016UU</b>									

Note(\*) Maximum allowable fillet corner radius of shaft.  
Remark: LRBZ has no oil hole. LRB and LRBZ - B are provided with an oil groove and an oil hole.

### PRODUCT FEATURES

Brand	IKO
N° Ean13	3663952420332
Inside diameter	12.7 mm
Outside diameter	19.05 mm
Thickness	25.65 mm
Packaging	1

[contact@123bearing.ie](mailto:contact@123bearing.ie)

+33 359 36 04 90

CRT4 de Lesquin 60 Rue Du Haut De Sainghin 59273 Fretin FRANCE