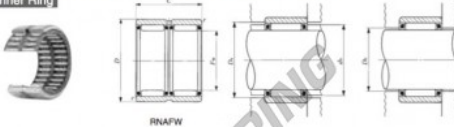


Needle roller bearing RNAFW172520-IKO - RNAFW172520-IKO

<https://www.123bearing.ie/bearing-housing/needle-roller-bearing/needle/rnafw172520-iko>

IKO
NEEDLE ROLLER BEARINGS WITH SEPARABLE CAGE
Without inner ring



Shaft dia. mm	Identification number	Mass (Ref.) g	Boundary dimensions mm				Standard mounting dimensions mm			Basic dynamic load rating C N	Basic static load rating C ₀ N
			F _w	D	C	r ⁽¹⁾ r _{s min}	d _b	D _s Max.	D _b		
17	RNAFW 172520	33.5	17	25	20	0.3	20.6	23	17.6	12 400	17 900

Allowable rotational speed⁽²⁾
rpm
30 000

Notes⁽¹⁾ Minimum allowable value of chamfer dimension r
⁽²⁾ Allowable rotational speed applies to grease lubrication.
Remark: This roller ring has an oil groove and an oil hole.
2. Bearings with seals on both sides are provided with prepacked grease. Bearings with a seal on one side are not provided with prepacked grease. Perform proper lubrication for use.

PRODUCT FEATURES

Brand	IKO
N° Ean13	3663952383828
Inside diameter	17 mm
Outside diameter	25 mm
Thickness	20 mm
Packaging	1

contact@123bearing.ie

+33 359 36 04 90

CRT4 de Lesquin 60 Rue Du Haut De Sainghin 59273 Fretin FRANCE