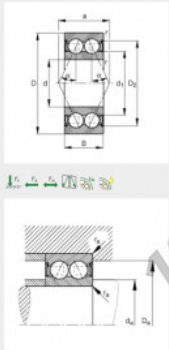


Deep groove ball bearing single row 3811-B-2Z-TVH-FAG - 3811-B-2Z-TVH-FAG

<https://www.123bearing.ie/bearing-housing/deep-groove-bearing/single-row/3811-b-2z-tvh-fag>

Angular contact ball bearings 3811-B-2Z-TVH
double row, gap seals on both sides, contact angle $\alpha = 25^\circ$



d	55 mm
D	72 mm
B	13 mm
a	30.7 mm
D ₂	
D _{2max}	70 mm
d ₁	61.9 mm
d _{1max}	57 mm
f _{e,max}	0.3 mm
f _{e,min}	0.3 mm
e	25° Contact angle
m	0.09 kg Mass
C	12100 N Basic dynamic load rating, radial
C ₀	15700 N Basic static load rating, radial
C ₁	880 N Fatigue limit load, radial
n _G	7200 1/min Limiting speed
n _R	5100 1/min Reference speed

PRODUCT FEATURES

Brand	FAG
N° Ean13	3663952349985
Inside diameter	55 mm
Sealing	Shield on both sides
Outside diameter	72 mm
Thickness	13 mm
Packaging	1

contact@123bearing.ie

+33 359 36 04 90

CRT4 de Lesquin 60 Rue Du Haut De Sainghin 59273 Fretin FRANCE