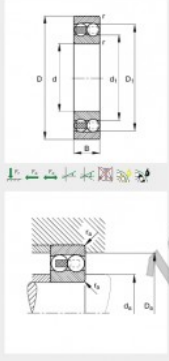


Self aligning ball bearing 1220-M-FAG - 1220-M-FAG

<https://www.123bearing.ie/bearing-housing/deep-groove-bearing/sefl-aligning/1220-m-fag>

Self-aligning ball bearings 1220-M
main dimensions to DIN 630



d	100 mm
D	180 mm
B	34 mm
D ₁	155.2 mm
D _{2max}	168 mm
d ₁	127.7 mm
d _{2min}	112 mm
f _{2max}	2.1 mm
f _{2min}	2.1 mm
m	3.99 kg Mass
C	70000 N Basic dynamic load rating, radial
e	0.18
Y	3.58
Y ₁	5.53
C ₀	29500 N Basic static load rating, radial
Y ₀	3.75
n _G	5600 1/min Limiting speed
n _R	6100 1/min Reference speed
C _{0r}	1550 N Fatigue limit load, radial

PRODUCT FEATURES

Brand	FAG
N° Ean13	3663952345895
Inside diameter	100 mm
Outside diameter	180 mm
Thickness	34 mm
Packaging	1

contact@123bearing.ie

+33 359 36 04 90

CRT4 de Lesquin 60 Rue Du Haut De Sainghin 59273 Fretin FRANCE